

VFDC-4100

CONTROLLER FOR CONSTANT PRESSURE APPLICATIONS



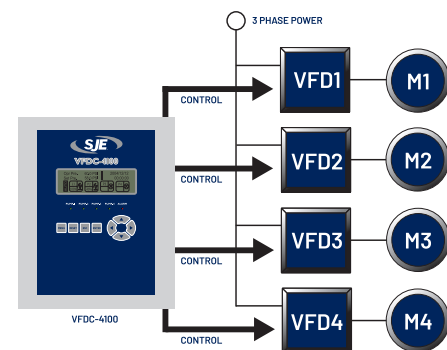
OVERVIEW

The VFDC-4100 controller is a microprocessor-based controller specifically designed for constant pressure applications using 1 - 4 variable frequency drives. It features P.I.D. control, automatic alternation, data logging, and communication capabilities. A backlit graphic display allows users to monitor pressure, pump speeds and alarm status. The VFDC-4100 controller uses a menu driven setup that makes navigation and configuration fast and simple.

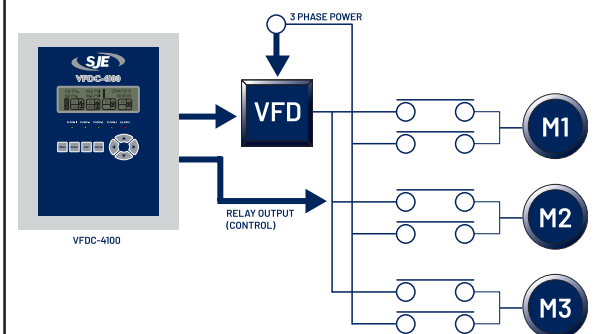
FEATURES

- 1 to 4 VFD operation
- P.I.D. control
- Graphic screen display with LED back-lighting
- System status display
 - Operating pressure
 - Set Pressure
 - Time and date
 - Alarm with time and date
- Pump status display
 - Pumps in use
 - Lead pump
 - Pump run/stop
 - Pump speed
 - VFD fault
 - Hour meter for each pump
- Four arrow buttons for easy navigation and setup
- Automatic alternation (cycle-based or time-based)
- 13 programmable digital outputs
- Scheduled pressure setup function
- Jockey pump operation (smaller lead pump)
- Pressure transmitter setup
- RS-485 Modbus Serial communication
- High and low pressure alarms
- Low suction pressure/low level with programmable restart

4 Pump Control Configuration



Deep Well Submersible Pump Application



The VFDC-4100 controller is supplied as part of a complete control panel system. Contact PRIMEX® to obtain a quote customized to meet your system specifications at panelquote@sjeinc.com.



844-4PRIMEX (477-4639)
WWW.PRIMEXCONTROLS.COM

VFDC-4100



SPECIFICATIONS

GENERAL

- Controls up to 4 pumps with VFDs
- Operates using 4-20mA pressure transmitter
- Menu driven setup for easy navigation
- Backlit LCD graphic display

DIMENSIONS

- 10.25 x 11.75 x 3.50 inches (26.0 x 29.8 x 8.9 cm)

ELECTRICAL SPECIFICATIONS

- Input Power: 24 VDC, 1.5A max

DEDICATED I/O

- 6 digital inputs (DC)
- 1 analog input (4-20mA)
- 4 analog outputs (0-10V)
- 5 relay outputs (2A max)
- 8 transmitter outputs

MODBUS COMMUNICATION

- RS-485 communication port

ENVIRONMENT

- Operating temperature 32 - 104° F (0 - 40° C)
- Relative humidity (RH) 0-95% (non-condensing)



844-4PRIMEX (477-4639)
WWW.PRIMEXCONTROLS.COM