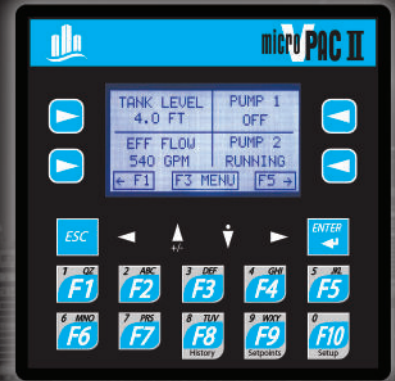


MICRO-VPAC II

PROGRAMMABLE CONTROLLERS



Class 1, Division 2
Groups A, B, C, D
Type 4X



Open-Architecture Solutions for Water and Wastewater Applications

MICRO-VPAC II BRINGS IT ALL TOGETHER

Micro-VPAC controllers are available as part of PRIMEX solutions from basic pump control and standard telemetry systems, to complex custom controls, large system integration, and **icontrol**® Cloud-based SCADA services.

In one compact unit, all of our Micro-VPAC programmable controllers combine:

- Open-architecture PLC-based control
- Intuitive Graphical User Interfaces
- Removable memory for data logging
- Multiple communication protocols and system-wide networking options
- Flexible, integrated input and output combinations and expansion modules

Micro-VPAC controllers are also the ideal solution for all types of telemetry systems and can be used as either a **CTU (Master)** or **RTU (Remote)** within the system.

- Leased Lines
- Fiber Optic
- Radio (UHF, VHF, Spread Spectrum)
- Cellular
- Satellite
- **icontrol**® Cloud-based SCADA

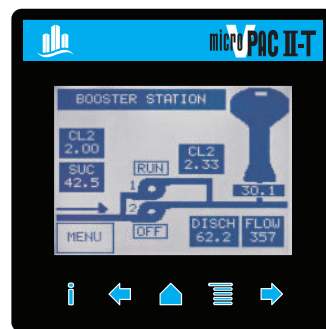
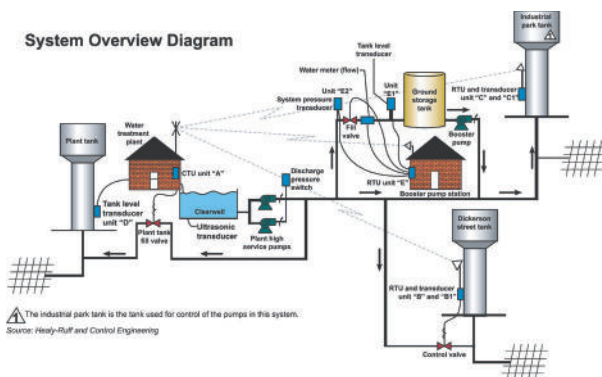
MICRO-VPAC II

This powerful compact 1/4-DIN, 2.25" LCD controller features integrated on-board I/O and removable memory for data logging and program files. Various navigation keys and programmable function keys for custom configurations.

MICRO-VPAC IIT/II4 - NOW WITH NAVIGATION KEYS

The Micro-VPAC IIT provides a transreflective 3.5" LCD touch screen for easy use and viewable *in direct sunlight!*

NEW! The Micro-VPAC II4 is one of the most advanced color touch screen controllers on the market in its size.



844-4PRIMEX (477-4639)
WWW.PRIMEXCONTROLS.COM

MICRO-VPAC II



	Micro-VPAC II	Micro-VPAC IIT	Micro-VPAC Ii4		
Display					
Graphics /Text	Yes / Yes	Yes / Yes	16-bit Color Graphics		
Pixels	128 x 64	160 x 128	QVGA 320 x 240		
Display Technology	2.25" Backlit LCD	3.5" Transreflex LCD Touch	3.5" TFT Transmissive		
Keypad / Touchscreen					
Total Keys	20	5	5		
Function Keys/Navigation Keys	10	4/4	4		
Numeric Keys	Shared	Pop-up Keypad	Pop-up Keypad		
Touchscreen	No	Yes	Yes		
Controller					
Ladder Logic Memory	256KB	256KB	1MB		
Logic Scan Rate	1.2mS/K	1.2mS/K	0.013mS/K		
Removable Memory	microSD - 2GB	microSD - 2GB	USB- 2TB /microSD - 32GB		
Local Comment Storage	Yes	Yes	Yes		
Floating Point Support	Yes	Yes	Yes		
Auto Tune PID Capable	Yes	Yes	Yes		
Built-in Web Server	No	No	Yes		
I/O Support - See chart Input / Output Specification at bottom of page for Model Types					
Expandable I/O	Yes	Yes	Yes		
I/O Memory Tables					
Digital Inputs / Outputs	2048 / 2048	2048 / 2048	2048 / 2048		
Analog Inputs / Outputs	512 / 512	512 / 512	512 / 512		
General Purpose Registers	9999	9999	50,000(Words) Retentive 16,384(bits) Retentive		
Connectivity					
Serial Ports	2 (RS-232/485)	2 (RS-232/485)	1 RS-232 & 1 RS-485		
USB A	No	No	USB 2.0 Flash Drive - 2TB		
USB mini-B	No	No	USB 2.0 Prog/Data		
Ethernet	Optional Modbus TCP Slave	Optional Modbus TCP Slave	10/100Mb Modbus TCP, HTTP, FTP, SMTP		
CAN	Remote I/O, Peer-to-Peer	Remote I/O, Peer-to-Peer	Remote I/O, Peer-to-Peer		
PLC/Drive Protocols	Yes	Yes	Yes		
RTU/Modbus Master/Slave	Yes	Yes	Yes		
Healy-Ruff PRO-line	Optional	Optional	Optional		
Serial ASCII In/Out / AB DF1	Yes	Yes	Yes		
Programming Over Network	Yes	Yes	Yes - Online Programming		
Telephone Modem Support	Optional	Optional	Optional		
Wireless Modem Support	Optional	Optional	Optional		
Cellular Modem Support	Optional	Optional	Optional		
General Specifications					
Primary Power Range	12 - 24 VDC	12 - 24 VDC	12 - 24 VDC		
Height	3.780" (96.0 mm)	3.780" (96.0 mm)	3.780" (96.0 mm)		
Width	3.780" (96.0 mm)	3.780" (96.0 mm)	3.780" (96.0 mm)		
Depth	2.264" (57.5 mm)	2.264" (57.5 mm)	2.264" (57.5 mm)		
Environmental	0 to 50°C	-10 to 60°C	-10 to 60°C		
Humidity	5 to 95%O	5 to 95%	5 to 95%		
Product Certifications	CE, UL, UL-C Class 1, Div1 ABCD	CE, UL, UL-C Class 1, Div1 ABCD	CE, UL, UL-C Class 1, Div1 ABCD		
Washdown Applications	NEMA 4X Equivalent	NEMA 4X Equivalent	NEMA 4X Equivalent		
Built-in I/O Model Types					
Model	DC In (4 high-speed)	DC Out (2 high-speed)	Relay	mA In	mA Out
Type 2	12		6 (3 Amp)	4 (12-bit)	
Type 3	12	12		2 (12-bit)	
Type 4	24	16		2 (12-bit)	
Type 5	12	12		2 (14/16-bit)	2
Type 6	12	12		6	4